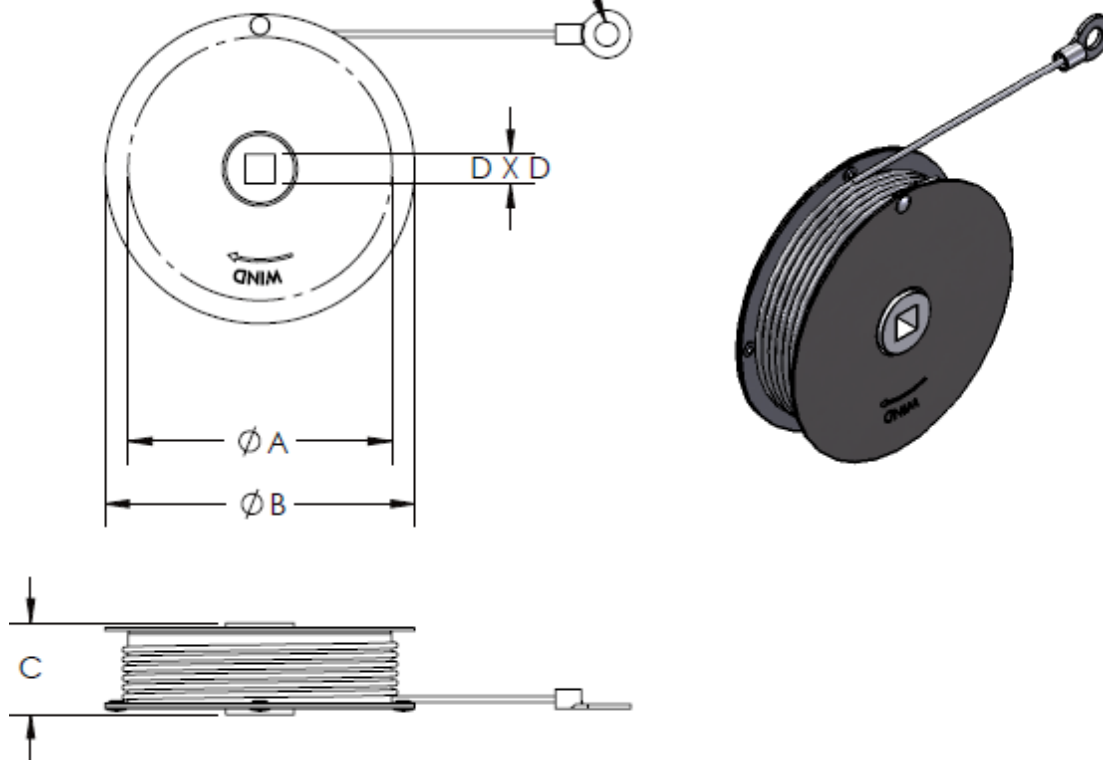




PART NUMBER	ML-1851
SPEC NUMBER	191581
DESCRIPTION	ARBOR MOUNTED REEL
SPRING	HIGH CARBON STEEL
CABLE	7 X 7 GALVANIZED STEEL NYLON COATED
CASE	STEEL, EPOXY POWDER COATED
ARBOR	DELTRIN

RETRACTING LOAD TO BE 9.5 ± 1.5 @ 1 TURN FROM SOLID

CLEARANCE FOR A $\phi 0.25$ STUD



MODEL	DIMENSIONS (ins)				CABLE (ins)	
	A	B	C	D	DIA	LNT
ML-1851	2-7/8	3-3/8	1	5/16	3/32	60

DRAWING FOR REFERENCE ONLY