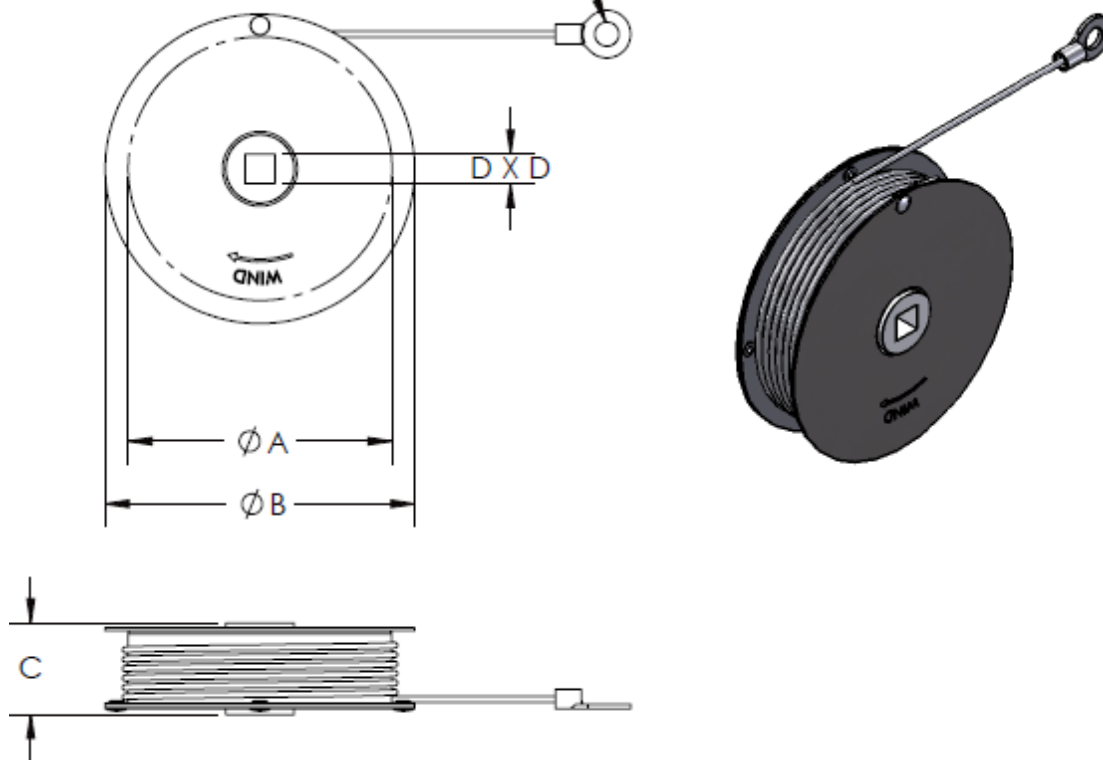




PART NUMBER	ML-2800
SPEC NUMBER	191986
DESCRIPTION	ARBOR MOUNTED REEL
SPRING	HIGH CARBON STEEL
CABLE	7 X 7 GALVANIZED STEEL NYLON COATED
CASE	STEEL, EPOXY POWDER COATED
ARBOR	DELTRIN

RETRACTING LOAD TO BE 24 # @ 1 TURN FROM SOLID

CLEARANCE FOR A $\phi 0.25$ STUD



MODEL	DIMENSIONS (ins)				CABLE (ins)	
	A	B	C	D	DIA	LNT
ML-2800	4-1/8	5	1-5/8	7/16	3/32	120

DRAWING FOR REFERENCE ONLY