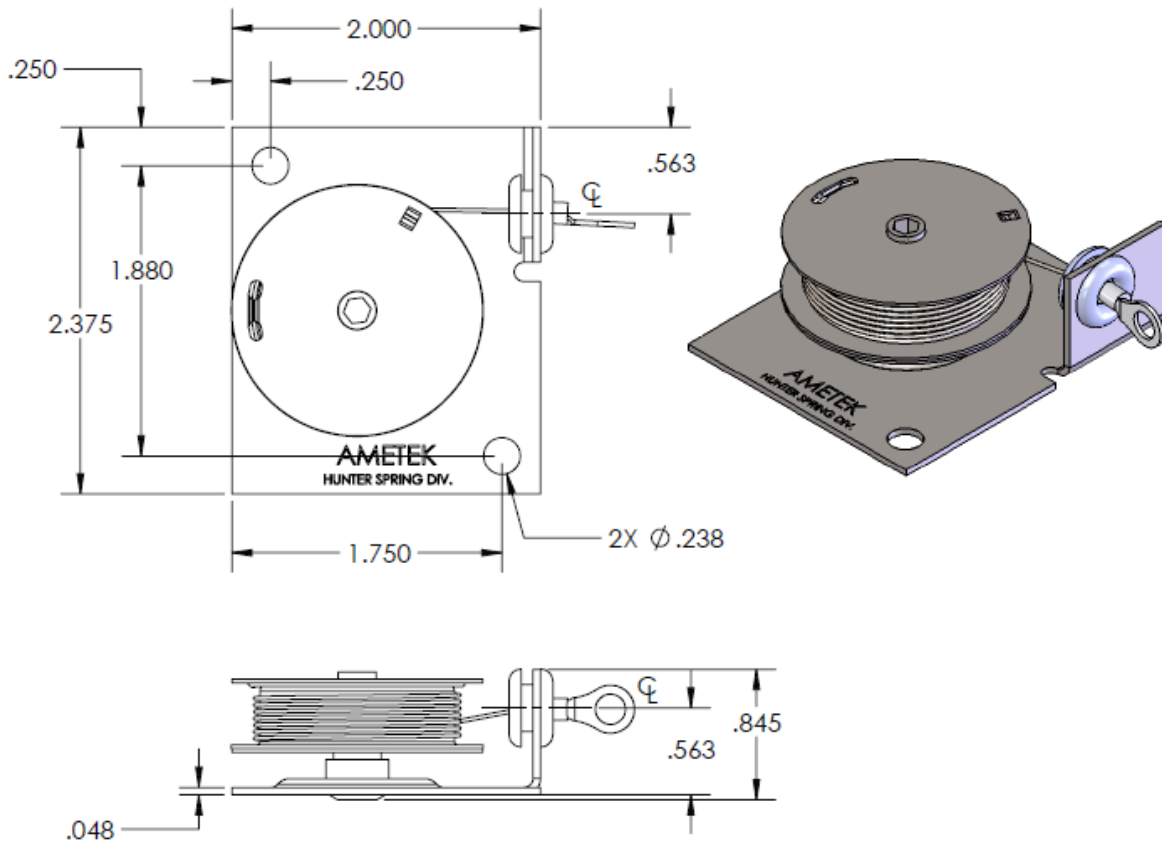




<b>PART NUMBER</b>	<b>ML-3949</b>
<b>SPEC NUMBER</b>	<b>192430</b>
<b>DESCRIPTION</b>	<b>BASE MOUNTED REEL</b>
<b>SPRING</b>	<b>301 SS SPIR'ATOR</b>
<b>CABLE TYPE</b>	<b>.024" DIA. 7 X 3 SS</b>
<b>CABLE LENGTH</b>	<b>39" (approx travel)</b>
<b>BASE</b>	<b>STEEL, ZINC COATED</b>
<b>DRUM</b>	<b>STAINLESS STEEL</b>



**RETRACTING LOAD TO BE 1.50# MIN @ 2 TURNS FROM SOLID**

DRAWING FOR REFERENCE ONLY  
REV A 031313