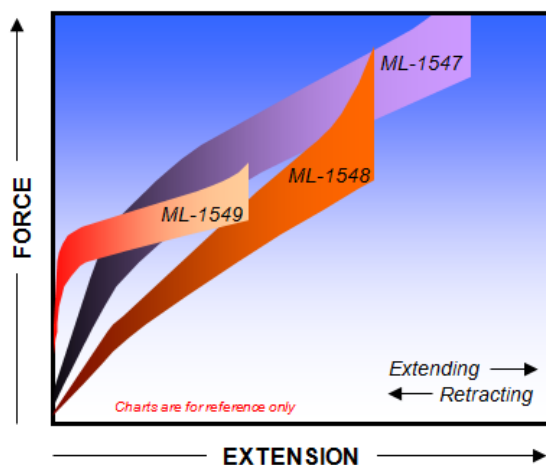
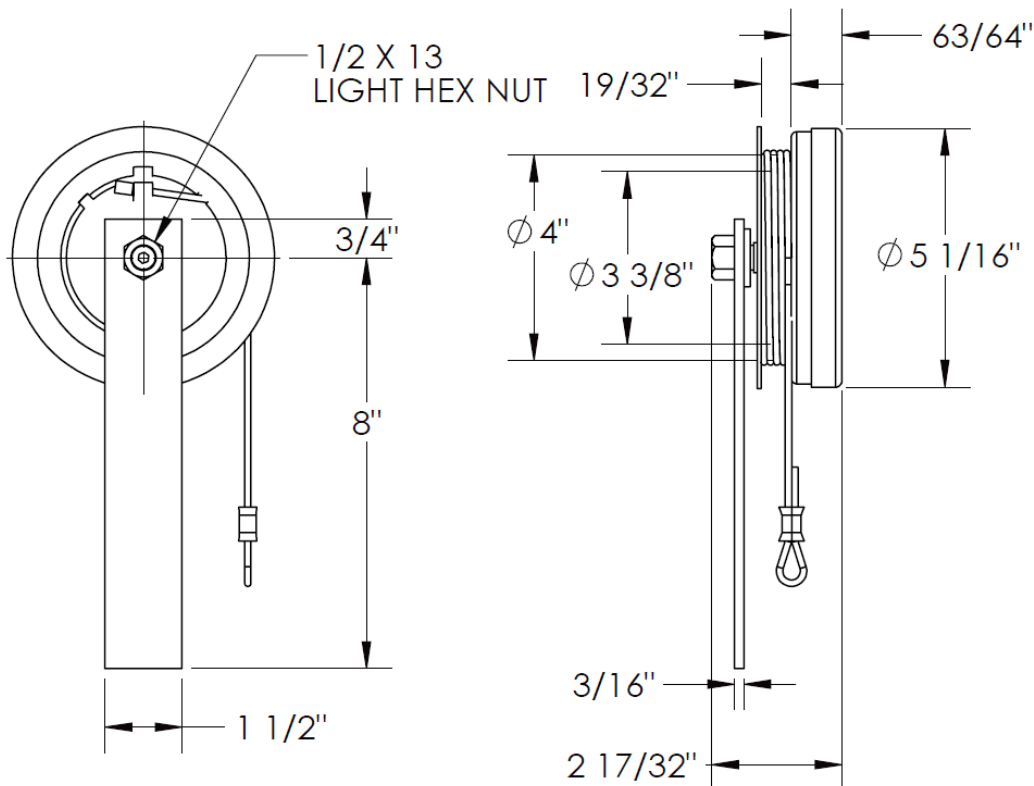




PART NUMBER	ML-1547
SPEC NUMBER	192395
DESCRIPTION	BRACKET MOUNTED REEL
SPRING	HIGH CARBON STEEL SPIR'ATOR
CABLE	3/32" DIA GALV STEEL, NYLON COATED TO 1/8" DIA, 126" LONG
CASE & BRACKET	STEEL, ZINC COATED



DRAWING FOR REFERENCE ONLY



DRAWING FOR REFERENCE ONLY