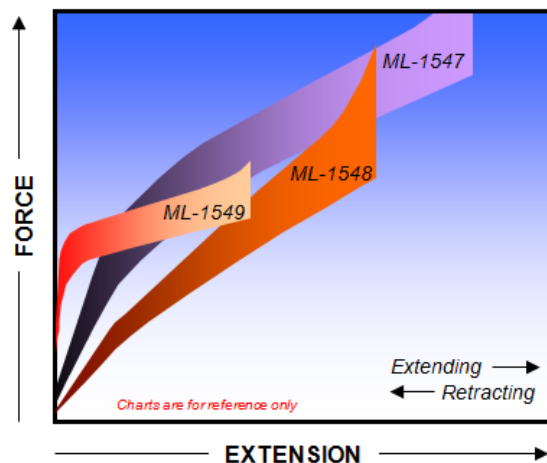
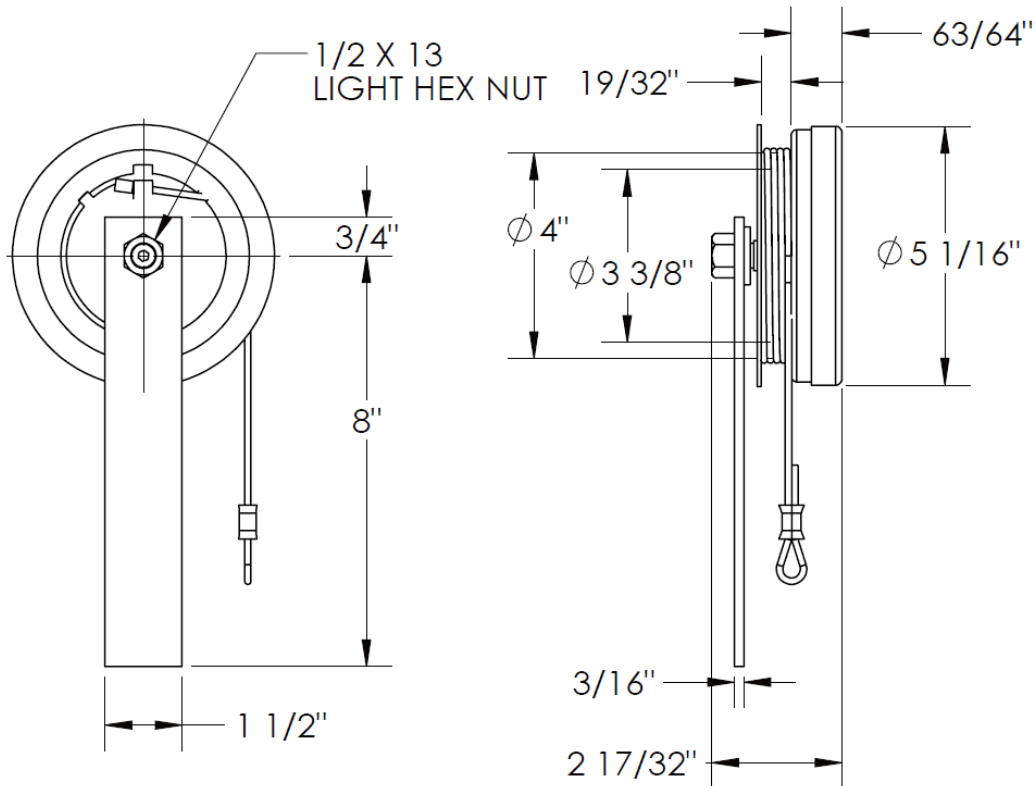




<b>PART NUMBER</b>	<b>ML-1549</b>
<b>SPEC NUMBER</b>	<b>192397</b>
<b>DESCRIPTION</b>	<b>BRACKET MOUNTED REEL</b>
<b>SPRING</b>	<b>HIGH CARBON STEEL SPIR'ATOR</b>
<b>CABLE</b>	<b>3/32" DIA GALV STEEL, NYLON COATED TO 1/8" DIA, 126" LONG</b>
<b>CASE &amp; BRACKET</b>	<b>STEEL, ZINC COATED</b>



DRAWING FOR REFERENCE ONLY