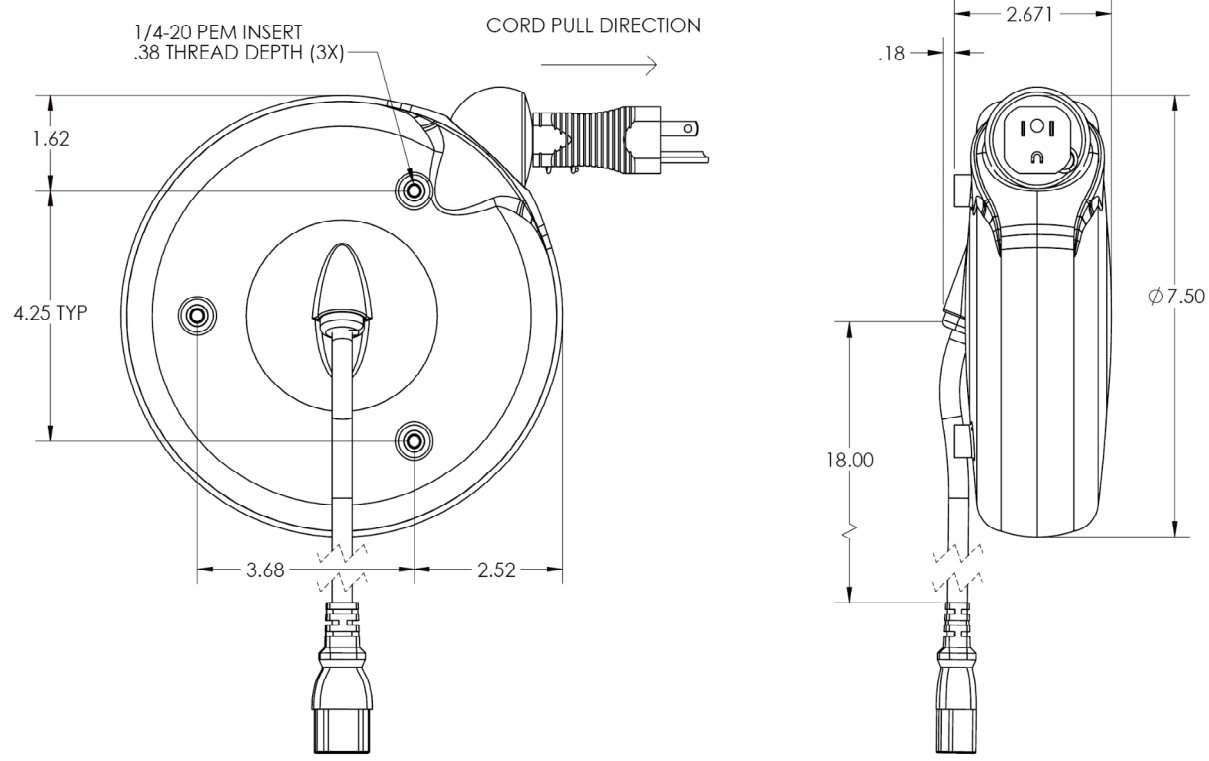




PART NUMBER	300420-1
SPEC NUMBER	198697
DESCRIPTION	DuraReel, 7.5" White Antimicrobial Case



	RETRACTABLE CORD	FIXED PIGTAIL
TYPE	14/3 SJT	16/3 SJT
LENGTH	10 feet	18 inches
TERMINATION	NEMA 5-15P Hospital Grade, Antimicrobial plug	IEC 320 C-13 Female Receptacle
COLOR	Gray with Antimicrobial Additive	Gray
BALL STOP	Gray with Antimicrobial Additive	N/A
HOUSING		
SIZE	7.5" Diameter	
COLOR	White with Antimicrobial Additive	
MOUNTING	(3) 1/4-20 PEM Inserts (198736 optional mounting bracket kit)	
ASSEMBLY RATING	10A 125V	

DRAWING FOR REFERENCE ONLY