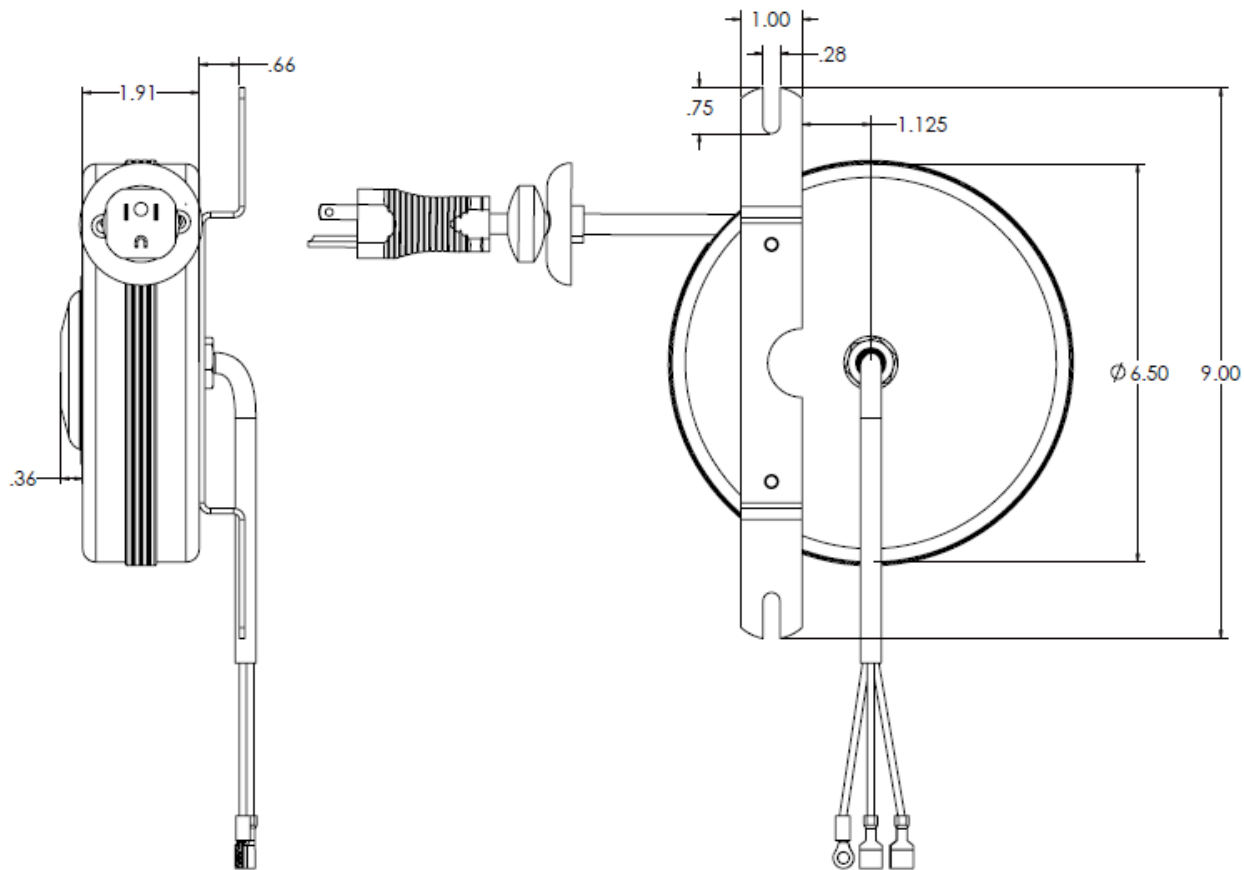




PART NUMBER	D200463-1
SPEC NUMBER	192826
DESCRIPTION	Medical Cable Reel, 6.5" Case, GE Replacement



	RETRACTABLE CORD	FIXED PIGTAIL
TYPE	16/3 SJT	16/3 SJT
LENGTH	10 feet	18 inches
TERMINATION	NEMA 5-15 Male, Hospital Grade	Terminals
COLOR	Gray	Black or Gray
BALL STOP	Black rubber ball stop	n/a
HOUSING		
SIZE	6.5" Housing	
COLOR	Red	
MOUNTING	Off-Center Bracket	
RATING & APPROVALS	10A, 125V, UL355, CSA	

DRAWING FOR REFERENCE ONLY