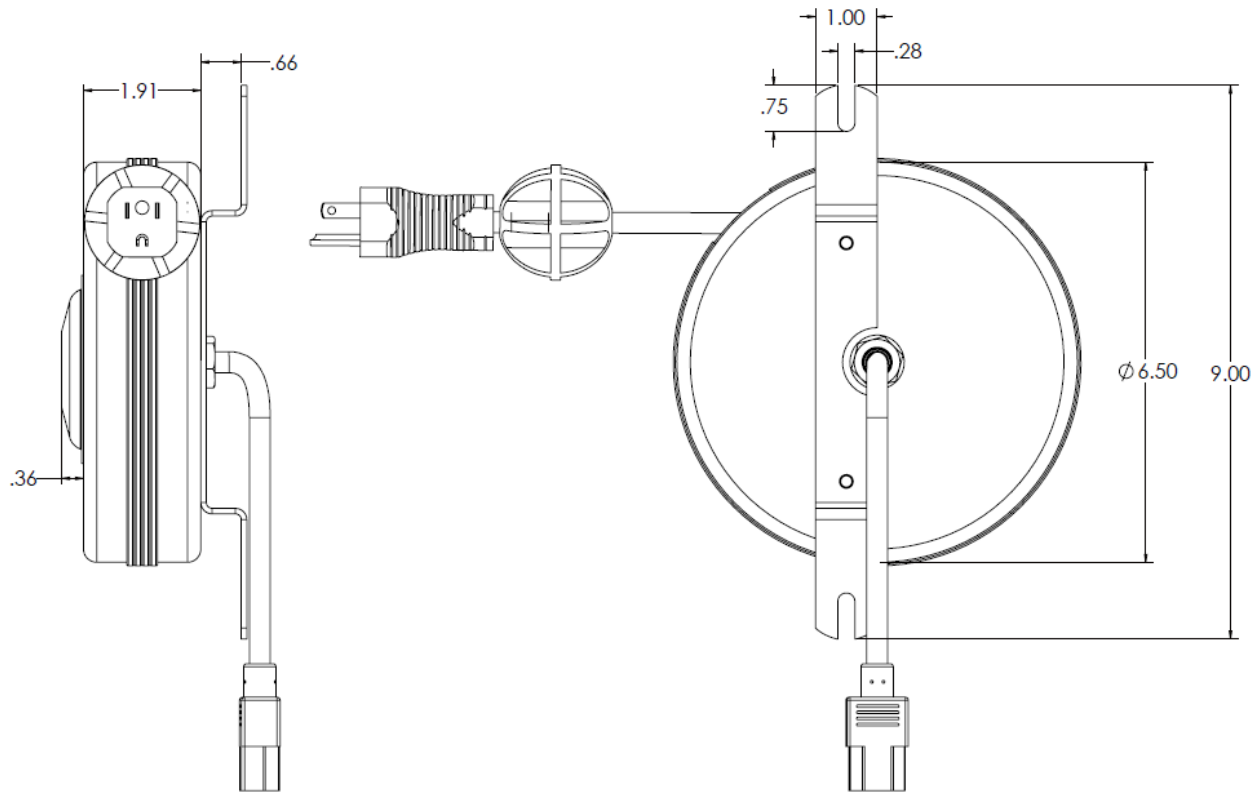




| | |
|--------------------|--------------------------------------|
| PART NUMBER | D200725-1 |
| SPEC NUMBER | 198215 |
| DESCRIPTION | Medical Cable Reel, 6.5" Case |



| | RETRACTABLE CORD | FIXED PIGTAIL |
|-------------------------------|--|-------------------------------|
| TYPE | 16/3 SJT | 18/3 SJT |
| LENGTH | 10 feet | 18 inches |
| TERMINATION | NEMA 5-15 Male, Hospital Grade | Molded Female IEC Plug |
| COLOR | Gray | Gray |
| BALL STOP | Black rubber ball stop | n/a |
| HOUSING | | |
| SIZE | 6.5" Housing | |
| COLOR | White | |
| MOUNTING | Center Bracket | |
| RATING & APPROVALS | 10A, 125V, UL355, UL60601-1 & CSA C22.2 No. 601.1 | |

DRAWING FOR REFERENCE ONLY