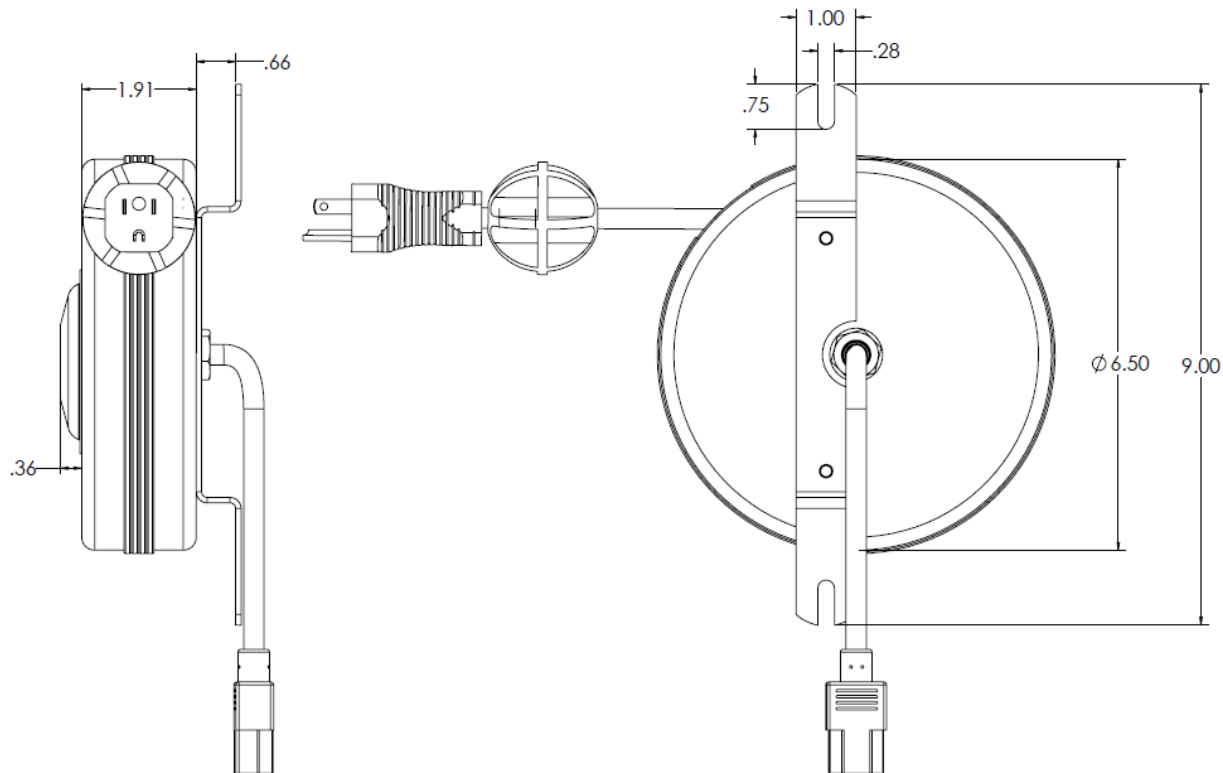




<b>PART NUMBER</b>	<b>D200911-1</b>
<b>SPEC NUMBER</b>	<b>198316</b>
<b>DESCRIPTION</b>	<b>Medical Cable Reel, 6.5" Case</b>



	<b>RETRACTABLE CORD</b>	<b>FIXED PIGTAIL</b>
<b>TYPE</b>	<b>16/3 SJT</b>	<b>18/3 SJT</b>
<b>LENGTH</b>	<b>10 feet</b>	<b>18 inches</b>
<b>TERMINATION</b>	<b>NEMA 5-15 Male, Hospital Grade</b>	<b>Molded Female IEC Plug</b>
<b>COLOR</b>	<b>Gray</b>	<b>Gray</b>
<b>BALL STOP</b>	<b>Black rubber ball stop</b>	<b>n/a</b>
<b>HOUSING</b>		
<b>SIZE</b>	<b>6.5" Housing</b>	
<b>COLOR</b>	<b>Black</b>	
<b>MOUNTING</b>	<b>Center Bracket</b>	
<b>RATING &amp; APPROVALS</b>	<b>10A, 125V, UL355, UL60601-1, CSA C22.2 NO. 601.1</b>	

DRAWING FOR REFERENCE ONLY