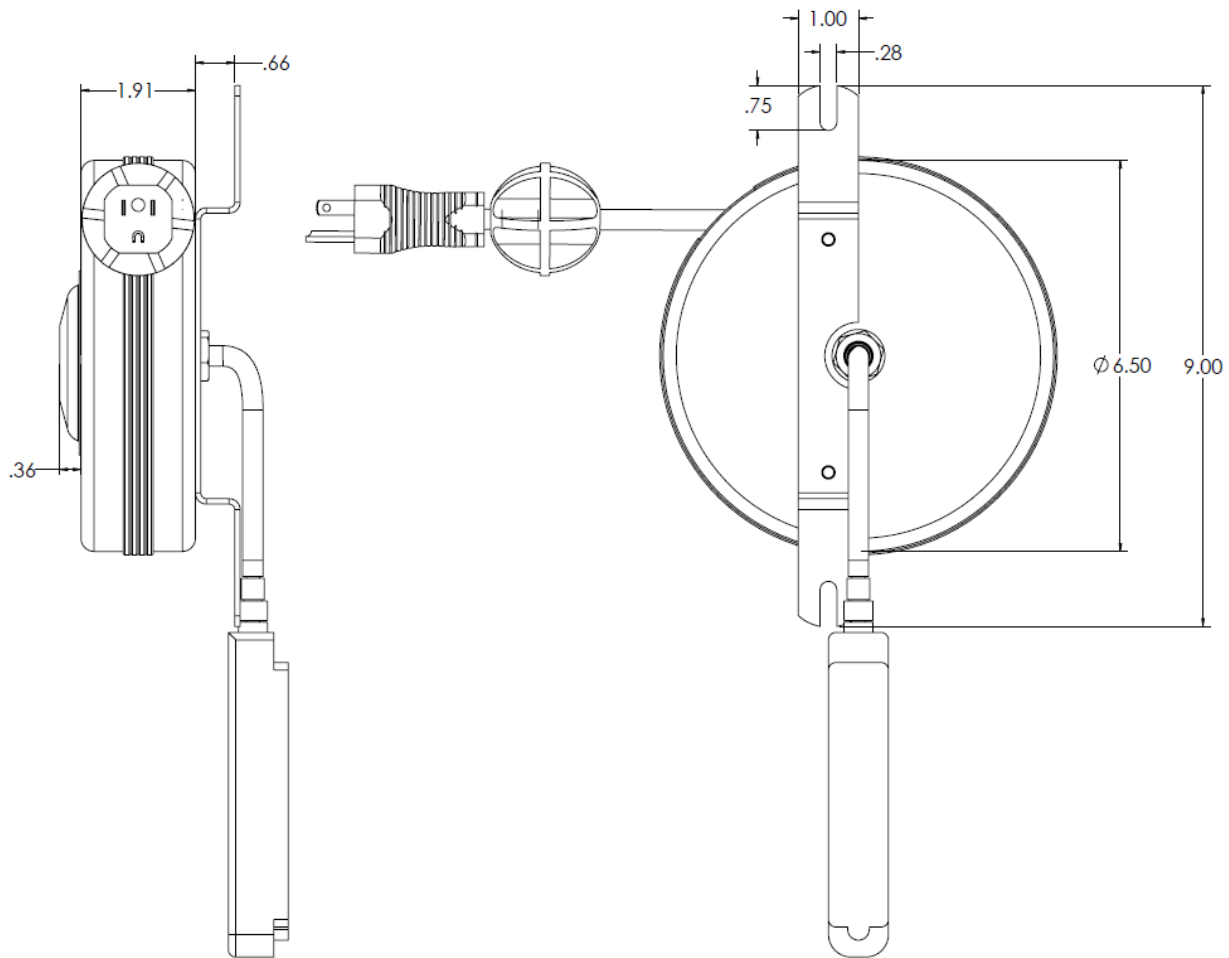




PART NUMBER	D200917-1
SPEC NUMBER	198320
DESCRIPTION	Electrical Cable Reel, 6.5" Case



RETRACTABLE CORD		FIXED PIGTAIL
TYPE	16/3 SJT	16/3 SJT
LENGTH	10 feet	18 inches
TERMINATION	NEMA 5-15 Male, Hospital Grade	NEMA 5-15R Triple Female Receptacle, molded
COLOR	Gray	Black
BALL STOP	Black rubber ball stop	n/a
HOUSING		
SIZE	6.5" Housing	
COLOR	Black	
MOUNTING	Center Bracket	
RATING & APPROVALS	10A, 125V, UL355	

DRAWING FOR REFERENCE ONLY