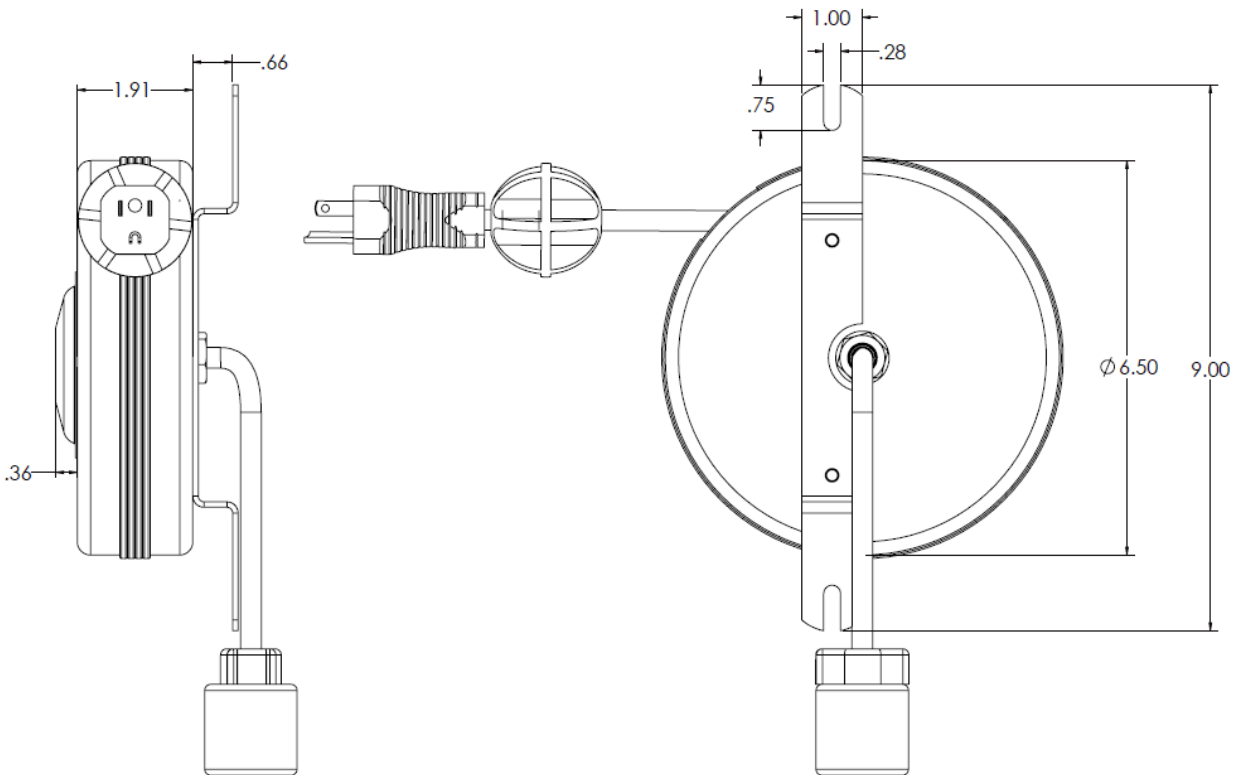




PART NUMBER	D201089-1
SPEC NUMBER	198386
DESCRIPTION	Medical Grade Cable Reel, 6.5" Case



	RETRACTABLE CORD	FIXED PIGTAIL
TYPE	16/3 SJT	16/3 SJT
LENGTH	10 feet	30 inches
TERMINATION	Gray molded NEMA 5-15 Male	Hospital Grade NEMA 5-15 Female
COLOR	Gray	Gray
BALL STOP	Black rubber ball stop	n/a
HOUSING		
SIZE	6.5" Housing	
COLOR	Black	
MOUNTING	Center Bracket	
RATING & APPROVALS	10A, 125V, UL355	

DRAWING FOR REFERENCE ONLY