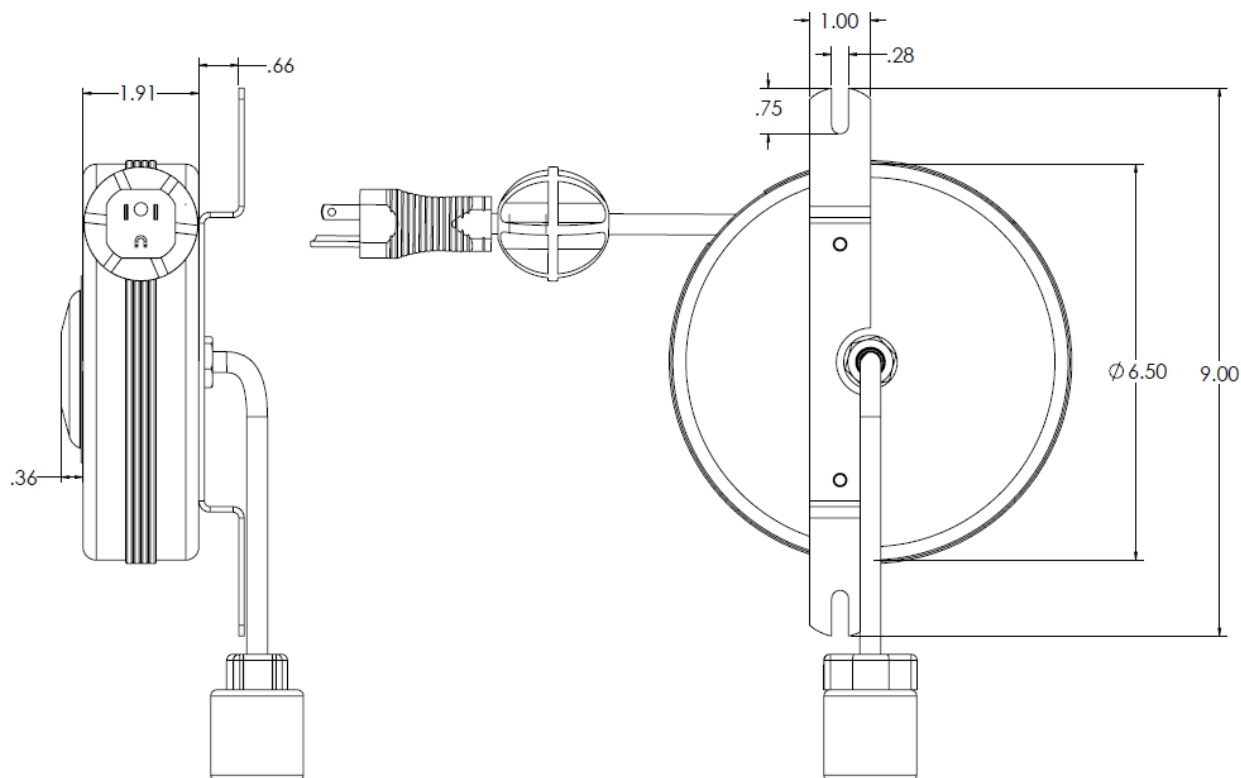




| | |
|--------------------|--|
| PART NUMBER | D201211-1 |
| SPEC NUMBER | 198428 |
| DESCRIPTION | Medical Grade Cable Reel, 6.5" Case |



| | RETRACTABLE CORD | FIXED PIGTAIL |
|-------------------------------|--------------------------------------|---------------------------------|
| TYPE | 16/3 SJT | 16/3 SJT |
| LENGTH | 10 feet | 16 inches |
| TERMINATION | Molded Hospital Grade NEMA 5-15 Male | Hospital Grade NEMA 5-15 Female |
| COLOR | Gray | Black / Clear |
| BALL STOP | Black rubber ball stop | n/a |
| HOUSING | | |
| SIZE | 6.5" Housing | |
| COLOR | White | |
| MOUNTING | Center Bracket | |
| RATING & APPROVALS | 10A, 125V | |

DRAWING FOR REFERENCE ONLY