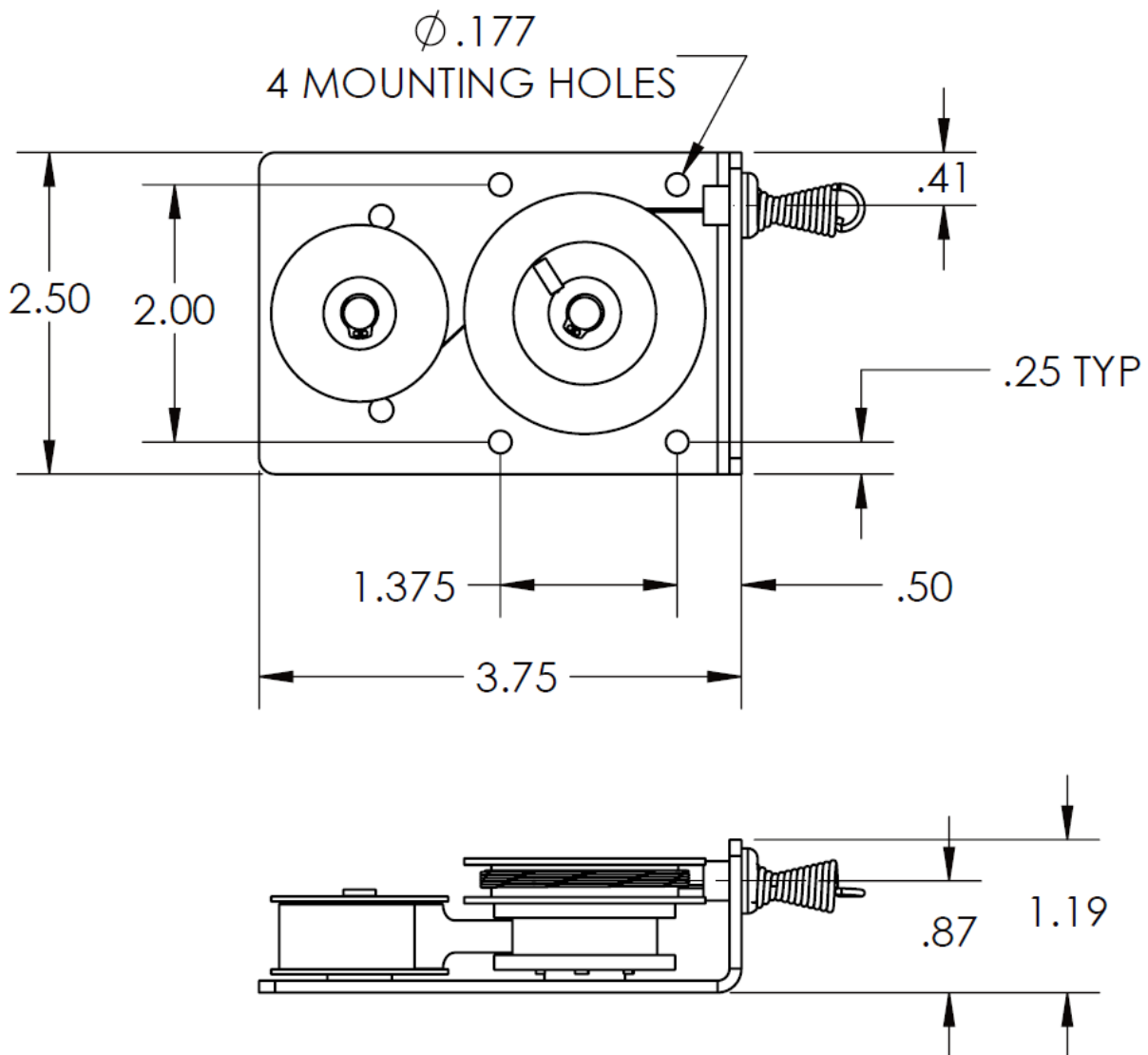




PART NUMBER	ML-2917
SPEC NUMBER	196565
DESCRIPTION	NEG'ATOR Motor Assembly
SPRING	TYPE 301 HI-YIELD STAINLESS STEEL
CABLE	.024" DIA UNCOATED STAINLESS STEEL
BASE	ZINC-PLATED
DRUMS	CELCON OR NYLON



SPRING TORQUE (LB-IN)	0.78
CABLE TENSION (LBS)	1
CABLE LENGTH (IN)	72
REVOLUTIONS	15
ENDURANCE (MIN CYCLE)	7500

DRAWING FOR REFERENCE ONLY