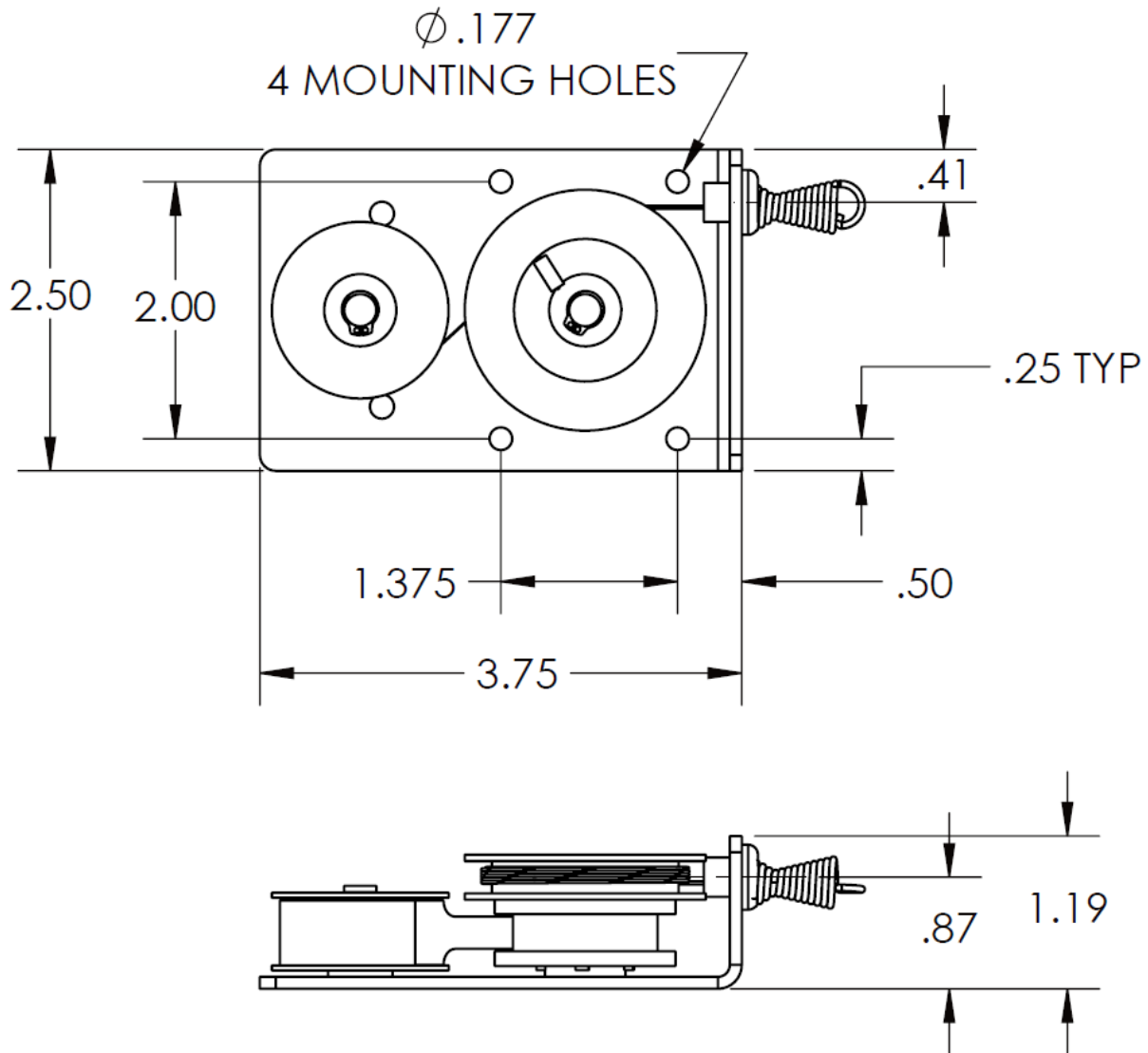




<b>PART NUMBER</b>	<b>ML-2918</b>
<b>SPEC NUMBER</b>	<b>196570</b>
<b>DESCRIPTION</b>	<b>NEG'ATOR Motor Assembly</b>
<b>SPRING</b>	<b>TYPE 301 HI-YIELD STAINLESS STEEL</b>
<b>CABLE</b>	<b>.024" DIA UNCOATED STAINLESS STEEL</b>
<b>BASE</b>	<b>ZINC-PLATED</b>
<b>DRUMS</b>	<b>CELCON OR NYLON</b>



<b>SPRING TORQUE (LB-IN)</b>	<b>1.56</b>
<b>CABLE TENSION (LBS)</b>	<b>2</b>
<b>CABLE LENGTH (IN)</b>	<b>72</b>
<b>REVOLUTIONS</b>	<b>15</b>
<b>ENDURANCE (MIN CYCLE)</b>	<b>2500</b>

DRAWING FOR REFERENCE ONLY